

Car Multimedia Systems.

VDO Dayton

VDO Dayton. The Car Brand.

DV 6100

Automotive Multimedia Disc Player



DVD
VIDEO

MP3



Stand-alone, Automotive Multimedia Player

Playback of DVD-Video, VCD, SVCD, CD-Audio and MP3-CD

Reads CD-R and CD-RW

DVD-Video Region 2 compatible

On Screen Display for 6 Languages (GB, F, D, I, E, DK)

Slow Motion and Time Lapse Function

Big 2 Colour Vacuum Fluorescent Display

Flipdown Front with Detachable Panel

RCA AV-Output, 2 Channel Stereo Down-mix Sound

TOS-Link Digital Output

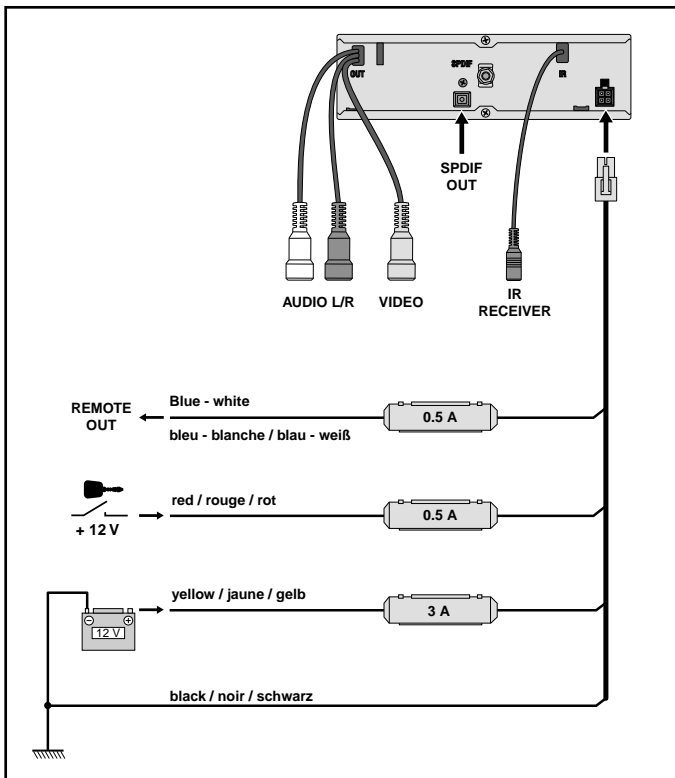
Infrared Remote Control

Internal Unit plus External Infrared Receiver

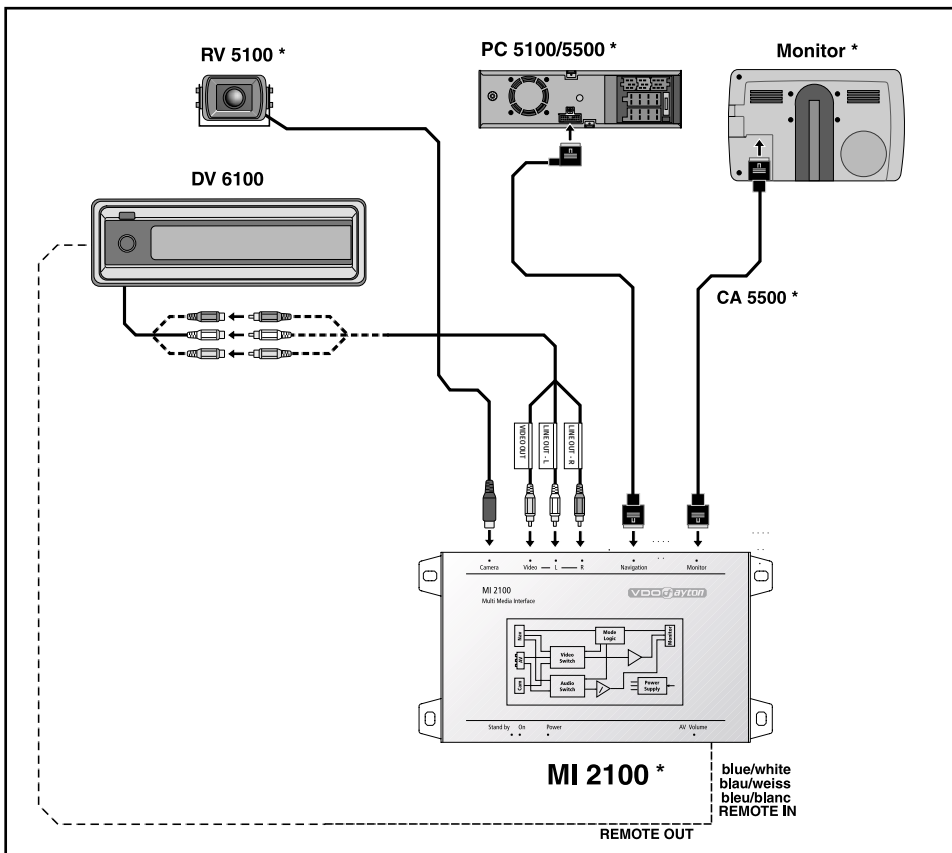
1 DIN size, In-dash or Hide-away Installation possible

DV 6100

Automotive Multimedia Disc Player



Connections



* not included accessory

Main Features DV 6100

- Playback capability for:
 - DVD-Video 5, 8, 9, 17, Region 2
 - VCD standard 1.1, 2.0
 - Super VCD
 - CD-Audio (CDA) 8 and 12cm discs
 - MP3-CD with variable bit rate and ID3 tag
- CD-R and CD-RW compatible
- 24bit Digital / Analogue Converter
- Video output PAL or NTSC (selectable)
- Trigger output for remote unit (i.e. MI 2100)
- Included accessory:
 - DIN and JIN slot mounting kit
 - Brackets for Hide-Away Mounting
 - Video and Audio Cable

Technical Data

- Video out: CVBS PAL or NTSC, 1Vpp@75Ohm
- Audio out 2-Channel Downmix, 2Vpp@10kOhm or digital stream via TOS link
- S/N > 85dB
- Operating temperature -10°C ~ +60°C
- Operating voltage 9V ~ 16V
- Standby current < 2mA
- Installation angle 0° ~ 30°
- Required batteries for IR remote control 2xAAA